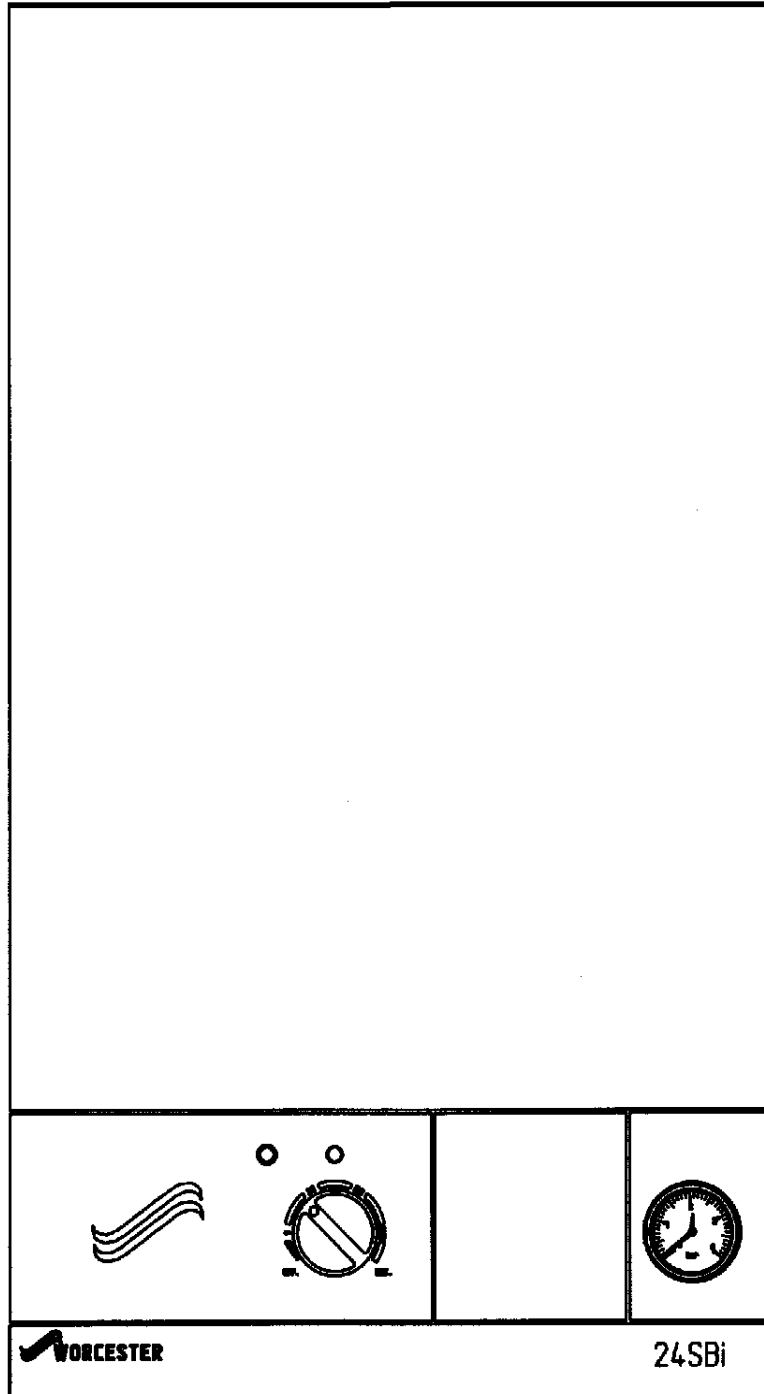


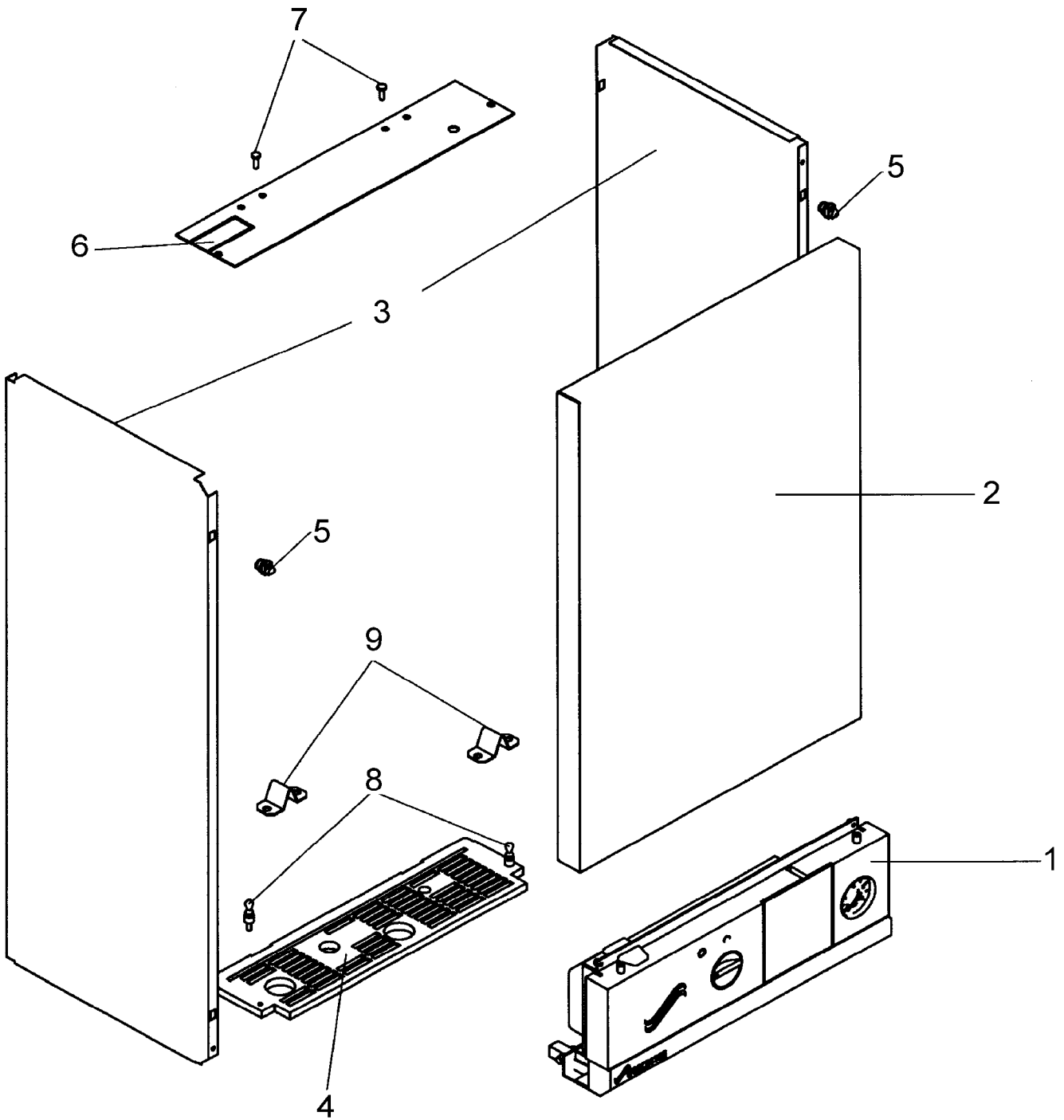
24SBI RSF

- 1 Casing
- 2 Superstructure
- 3 Pump & Hydraulic Assy
- 4 Electrical Box
- 5 Wall Mounting Assy
- 9 Additional Spare Parts



6720900137.AA

Spare parts list



6720900097.AA

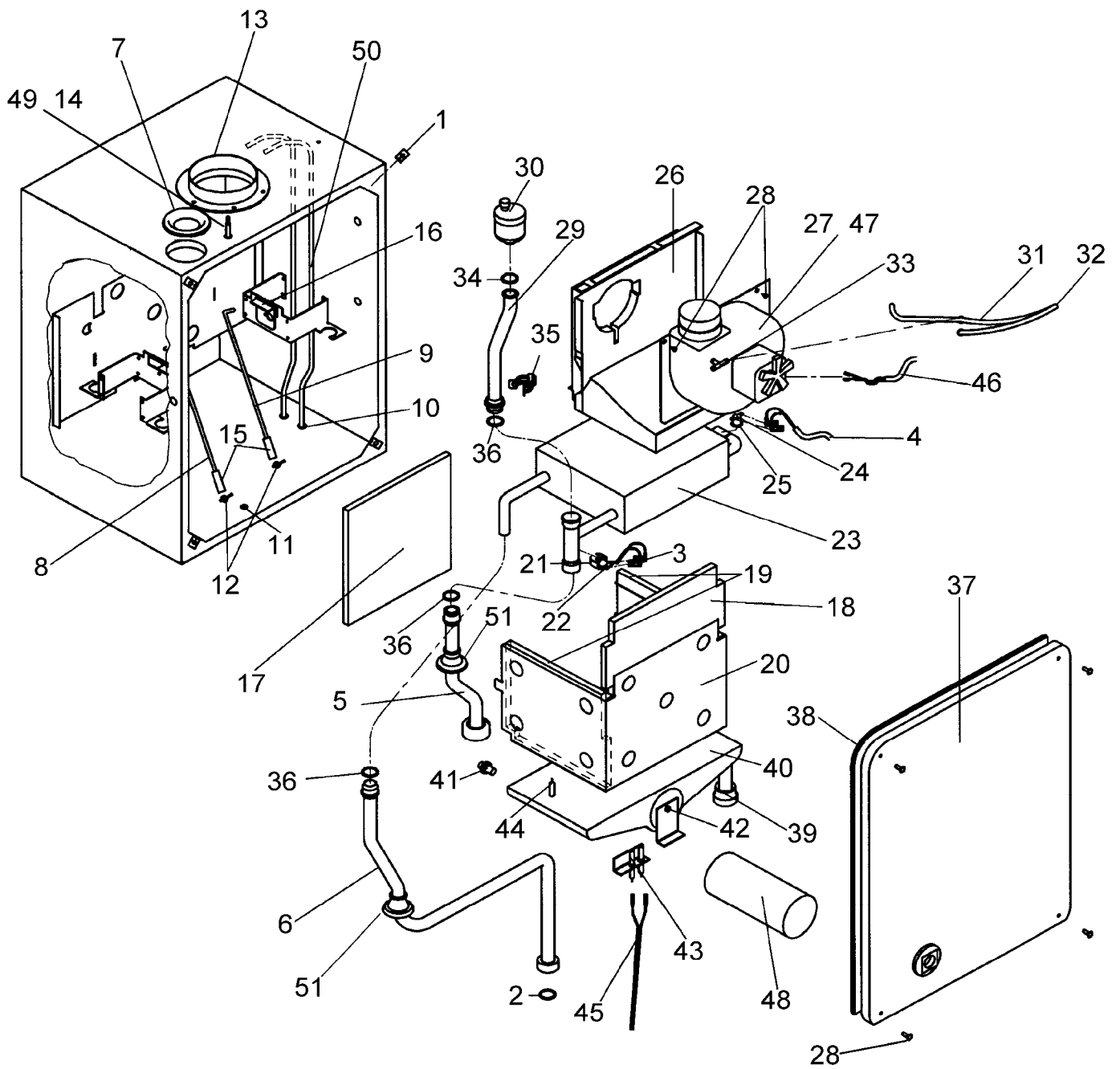
Casing
D

24SBI-FSN

1

Pos	description	S-Nr	ordering no.	PG	gas type	24SBI-FSN											remarks
1	Control box assembly - system rsf		8 716 121 459 0		NG	■											
2	Cabinet front panel painted		8 716 100 994 0	50	NG	■											
3	Cabinet side panel painted		8 716 100 995 0	40	NG	■											
4	Cabinet bottom panel assembly		8 716 120 033 0	50	NG	■											
5	Retaining button (5 pack)		8 716 141 035 0	16	NG	■											
6	Cabinet top panel rsf		8 716 100 998 0		NG	■											
7	Screw no.8x1/2 f/h type b self tap.		2 912 421 225 0	16	NG	■											
8	Stud 2ba brass ball new design		8 716 140 512 0	08	NG	■											
9	Clip - spring ref mfo319 soft (5 pack)		8 716 140 513 0	04	NG	■											
24SBI-FSN			Casing D														1

Spare parts list



6720900098.AB

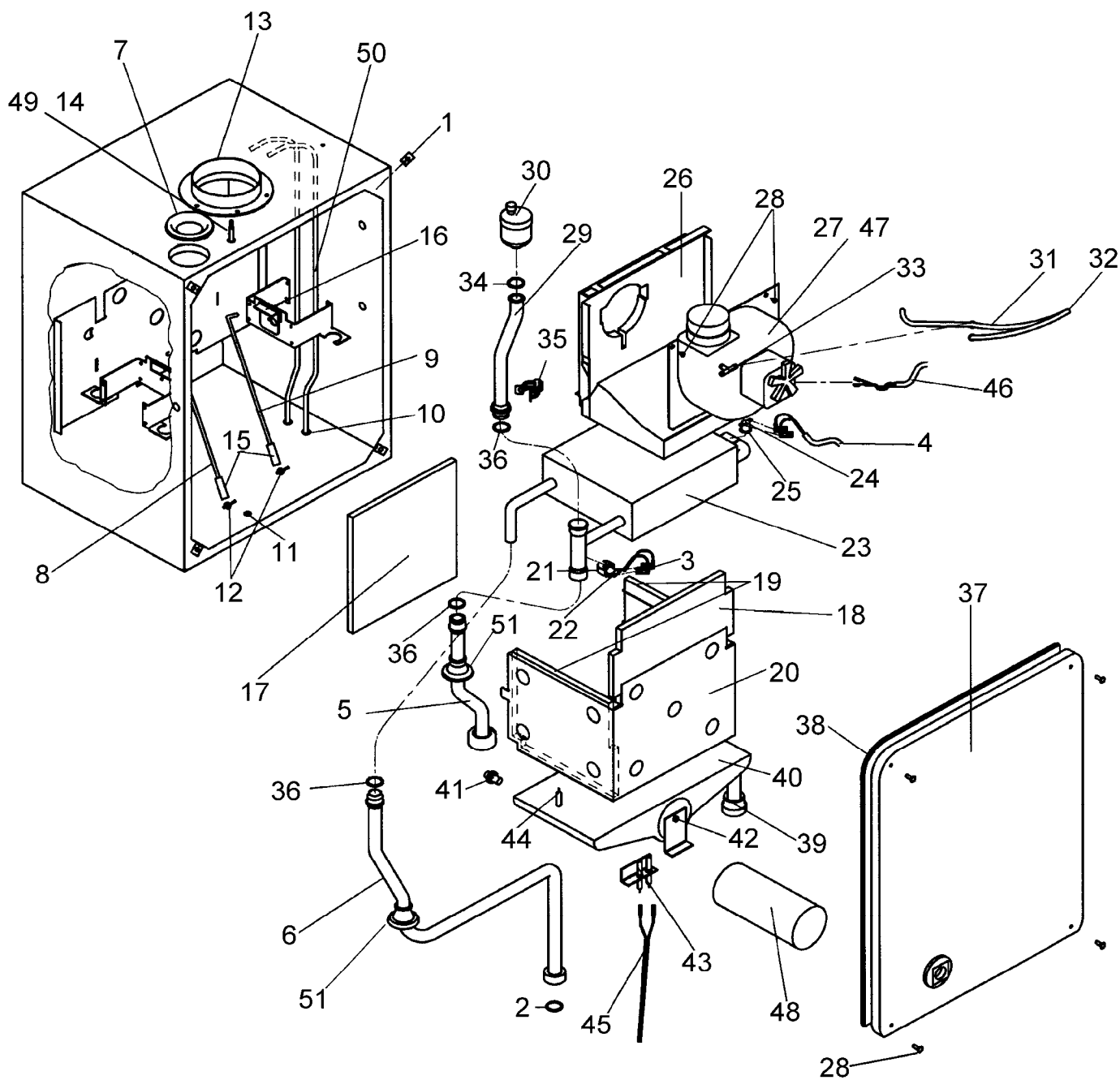
Superstructure
D

24SBI-FSN

2

Pos	description	S-Nr	ordering no.	PG	gas type	24SBI-FSN													remarks
1	Nut Captive No:8		8 716 148 204 0	16	NG	■													
2	Fibre washer 23.9 X 17.2 X 1.5 (10x)		8 710 103 043 0	12	NG	■													
2	Washer 23.9 x 17.2 x 1.5 (X1)		8 716 115 674 0		NG	■													
3	Harness main sbi system		8 716 121 461 0		NG	■													
4	Harness gas valve and overheat		8 716 121 483 0		NG	■													
5	Pipe - primary flow		8 716 120 123 0	30	NG	■													
6	Pipe - primary return assembly		8 716 121 331 0		NG	■													
7	Seal-air vent		8 716 140 704 0	19	NG	■													
8	Retaining bolt lh		8 716 148 200 0	17	NG	■													
9	Retaining bolt rh		8 716 148 201 0	18	NG	■													
10	Bung-pilot large hole (5 pack)		8 716 140 707 0		NG	■													
11	Rubber grommet		8 716 140 708 0	21	NG	■													
12	Nut-wing m5 ms zn pl table 2		2 915 191 105 0	15	NG	■													
13	Flue spigot		8 716 101 314 0		NG	■													
14	Flue sampling tube kit		8 716 140 249 0	18	NG	■													
15	Retaining bolt guide		8 716 100 097 0	30	NG	■													
16	Heat ex. retainer		8 716 100 045 0	30	NG	■													
17	Combustion rear insulation		8 716 142 201 0	23	NG	■													
18	Combustion front insulation		8 716 142 200 0	23	NG	■													
19	Combustion side insulation		8 716 142 202 0	23	NG	■													
20	Combustion chamber front-sides		8 716 100 021 0	40	NG	■													
21	Primary h.w. thermistor clip		8 716 148 303 0	12	NG	■													
22	Ntc/thermister dhw		8 716 142 302 0	17	NG	■													
23	Gas-water heat exchanger		8 716 142 800 0	55	NG	■													
24	Overheat thermostat		8 716 142 303 0	39	NG	■													
25	Screw m3x6mm zc pl p/h taptite		2 914 411 411 0	18	NG	■													
26	Flue hood assembly rsf		8 716 120 242 0		NG	■													
27	Fan assembly system 24kw		8 716 121 456 0		NG	■													
28	Screw no.8x1/2 f/h type b self tap.		2 912 421 225 0	16	NG	■													
29	Pipe - air vent		8 716 120 047 0	33	NG	■													
30	Air-vent automatic 3/8 (ss kit)		8 716 140 500 0	35	NG	■													
31	beige silicone tubing 5m long		8 716 101 080 0	27	NG	■													
32	Red silicone tubing 5m long		8 716 101 081 0	27	NG	■													
33	T piece moulding ref 416teep		8 716 141 205 0	16	NG	■													
34	O-ring 2.62 X 15.54 id ep		8 716 140 805 0	15	NG	■													
35	Clamp spring		8 716 148 317 0	02	NG	■													
36	O-ring 2.62 X 17.86		8 716 140 806 0	15	NG	■													
37	Inner casing cover assembly		8 716 120 254 0	39	NG	■													
38	Seal		8 716 100 640 0	26	NG	■													
39	Seal-burner manifold		8 716 140 703 0	19	NG	■													
40	Burner ng		8 716 142 649 0		NG	■													
40	Burner lpg		8 716 142 650 0		NG	■													
41	Main burner injector set		8 716 140 208 0	20	NG	■													
41	Main burner injector - lpg		8 716 140 209 0	20	NG	■													
42	Nut m4 extended		8 716 140 102 0		NG	■													
43	Electrode spark		8 716 105 186 0		NG	■													AFTER FD292
43	Spark electrode assembly		8 716 142 100 0	27	NG	■													BEFORE FD292
44	Flame sence electrode and harness		8 716 120 345 0	35	NG	■													
45	Harness ignition assembly		8 716 120 236 0		NG	■													
46	Harness fan 24/28i		8 716 120 980 0		NG	■													
47	Air flow sensor		8 716 141 000 0	18	NG	■													
48	Burner gauze		8 716 142 601 0	27	NG	■													
24SBI-FSN			Superstructure D																2

Spare parts list



6720900098.AB

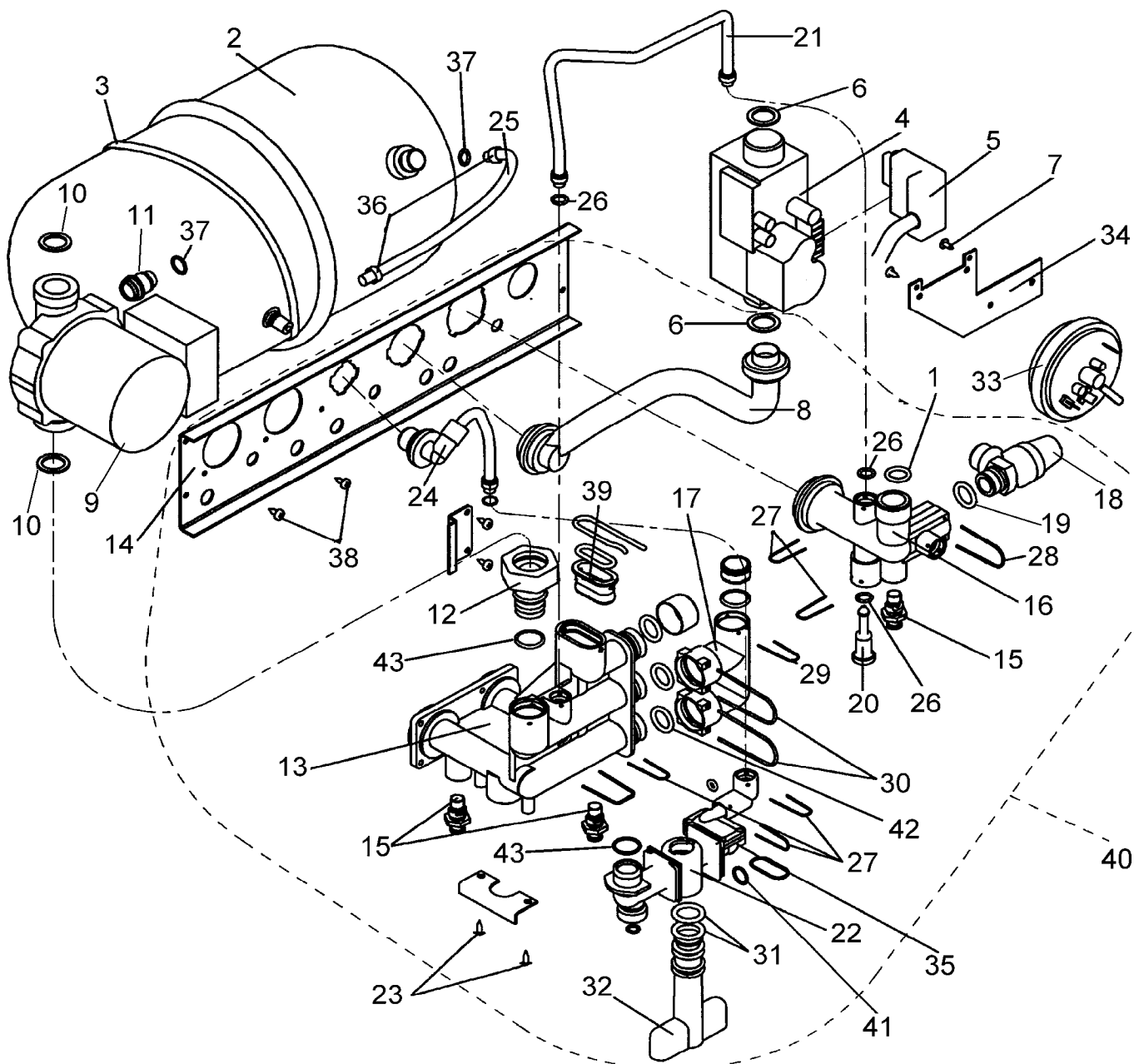
Superstructure
D

24SBI-FSN

2

Pos	description	S-Nr	ordering no.	PG	gas type	24SBI-FSN														remarks
49	Blanking cap red		8 716 141 211 0		NG	■														
50	Pipe - air pressure switch		8 716 100 003 0		NG	■														
51	SEAL-18MM TUBE		8 716 140 705 0	17	NG	■														
	Combustion insulation pack		7 716 192 204 0		NG	■														
	Open vent cover plate c/w seal		8 716 100 237 0		NG	■														
24SBI-FSN			Superstructure D																2	

Spare parts list



6720900099.AA

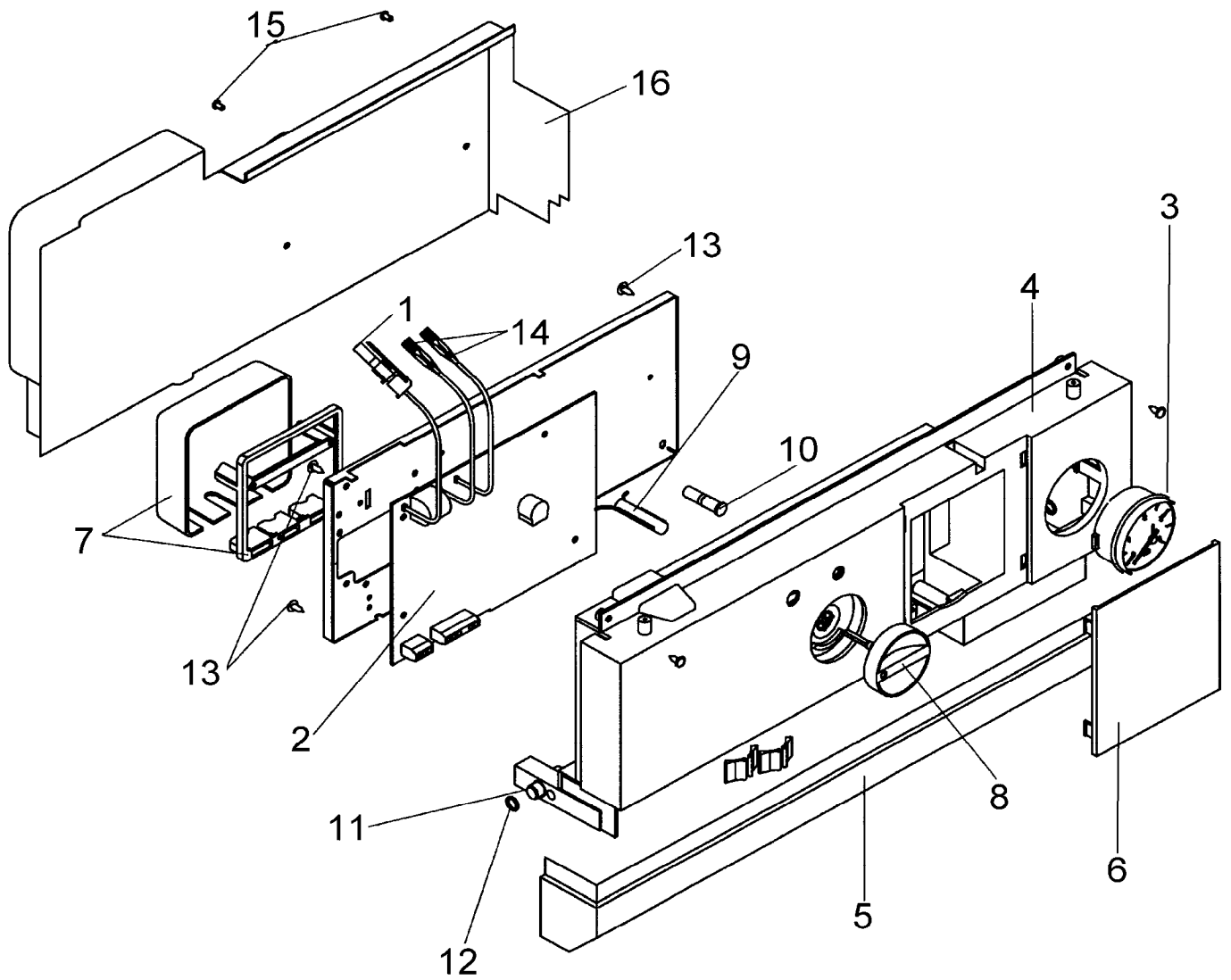
Pump / Hydraulic assy
D

24SBI-FSN

3

Pos	description	S-Nr	ordering no.	PG	gas type	24SBI-FSN														remarks
1	Fibre washer 23.9 X 17.2 X 1.5 (10x)		8 710 103 043 0	12	NG	■														
1	Washer 23.9 x 17.2 x 1.5 (X1)		8 716 115 674 0		NG	■														
2	Expansion vessel 10 litres		8 716 142 500 0	51	NG	■														
3	Cable tie 763mm ntb190h		8 716 141 064 0		NG	■														
4	Gas valve assembly - honeywell		8 716 156 751 0		NG	■														
5	Harness gas valve and overheat		8 716 121 483 0		NG	■														
6	Washer fibre 24.0 x 16.0 x 1.5		8 716 140 900 0	07	NG	■														
7	Screw m4x10mm taptite Scr zc pl p/h		2 914 411 408 0		NG	■														
8	Pipe - gas inlet assembly		8 716 121 441 0		NG	■														
9	Standard 15/60 Pump Head		8 716 113 594 0		NG	■														
9	Pump grundfos 59506606		8 716 143 107 0		NG	■														
10	washer 30.5x22.2x1.5		8 716 140 920 0	13	NG	■														
11	G 3/8 x G 1/4 connector		8 716 156 371 0		NG	■														
12	Pump connector assembly		8 716 156 382 0		NG	■														
13	Flow connector manifold		8 716 141 191 0		NG	■														
14	Lower cross support		8 716 101 186 0		NG	■														
15	Drain Screw assembly		8 716 120 037 0	21	NG	■														
16	Return connector manifold		8 716 141 195 0		NG	■														
17	Flow loop connector		8 716 141 192 0		NG	■														
18	Pressure relief valve 312438		8 716 142 404 0	23	NG	■														
19	O-ring 16x2 (x1)		8 716 115 675 0		NG	■														
19	O-Ring 2.0 X 16.00 ID EP (10x)		8 716 140 814 0	15	NG	■														
20	By pass Screw		8 716 140 202 0	18	NG	■														
21	Pipe - by - pass assembly		8 716 121 444 0		NG	■														
22	Charging link assembly		8 716 121 443 0		NG	■														
23	Screw 4mm x 12 pt posi pan z/p		2 914 201 303 0		NG	■														
24	Pipe - cold water inlet		8 716 121 442 0		NG	■														
25	Pipe - expansion vessel kit		8 716 100 642 0		NG	■														
26	O-Ring 2.40 x 7.60 id nitrile		8 716 140 808 0	17	NG	■														
27	Clip		8 716 148 301 0	03	NG	■														
28	Wireform spring		8 716 148 310 0	17	NG	■														
29	Clip - wire special		8 716 148 351 0		NG	■														
30	Wireform spring		8 716 148 321 0	14	NG	■														
31	O-Ring 3.00 x 19.00 id epdm		8 716 140 816 0	17	NG	■														
32	Charging link key		8 716 121 107 0	30	NG	■														
33	Air pressure switch		8 716 142 406 0		NG	■														
34	Bracket-pressure switch		8 716 100 008 0	30	NG	■														
35	Valve spindle knob assy - grey		8 716 121 109 0	24	NG	■														
36	Nut 10mm compression		8 716 140 226 0	13	NG	■														
37	10mm compression ring		8 716 140 227 0	18	NG	■														
38	Screw m4 x 12mm taptite zc pl ph		2 914 411 404 0	02	NG	■														
39	Plug flow connector		8 716 141 194 0		NG	■														
40	System manifold assembly		8 716 121 439 0		NG	■														
41	O-ring 7x2,5		8 716 140 817 0	22	NG	■														
42	O-ring 16,64x3,53		8 716 140 831 0		NG	■														
43	O-ring 2.62 X 17.86		8 716 140 806 0	15	NG	■														
24SBI-FSN			Pump / Hydraulic assy D																	3

Spare parts list



6720900100.AA

Electrical Box Assembly
D

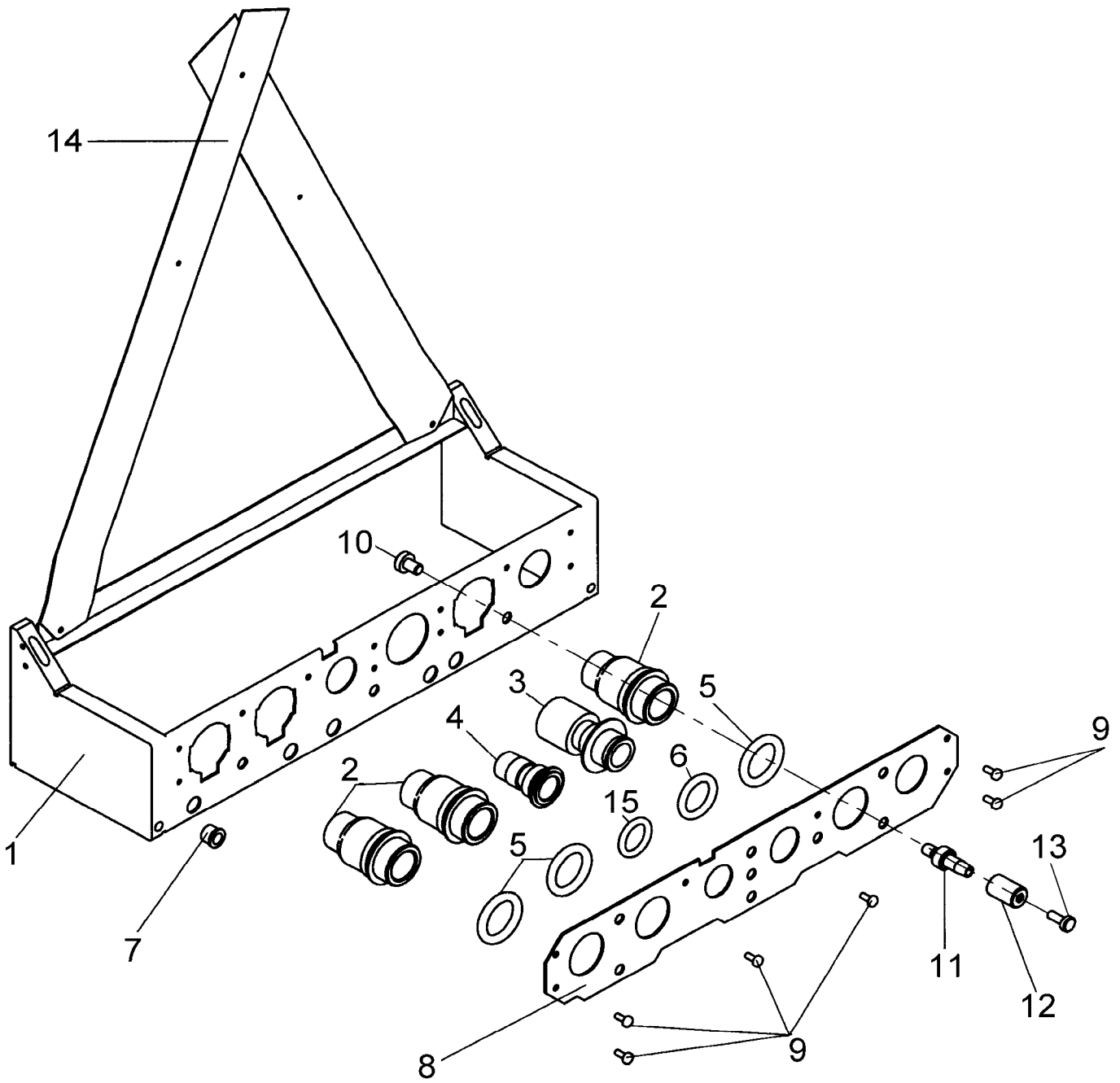
24SBI-FSN

4

Pos	description	S-Nr	ordering no.	PG	gas type	24SBI-FSN													remarks
1	Harness-flame sense to pcb board		8 716 120 126 0		NG	■													
2	Pcb control board		8 716 146 328 0		NG	■													
3	Pressure gauge 4 bar dark grey		8 716 142 300 0		NG	■													
4	Facia main body		8 716 141 187 0		NG	■													
5	Facia panel bottom		8 716 141 202 0		NG	■													
6	Facia inset plate		8 716 141 008 0		NG	■													
7	Wiring centre assembly		8 716 141 196 0		NG	■													
8	Control knob		8 716 141 044 0		NG	■													
9	Facia light insert		8 716 141 011 0	10	NG	■													
10	Reset button		8 716 141 019 0	18	NG	■													
11	Facia hinge pin		8 716 141 007 0	26	NG	■													
12	O-Ring 1.60 x 7.10 id ep		8 716 140 807 0	17	NG	■													
13	Screw iso no 6b x 9.5 recessed		2 912 421 210 0	07	NG	■													
14	Harness ignition assembly		8 716 120 236 0		NG	■													
15	Panel fastener		8 716 141 045 0	04	NG	■													
16	Cover Control box		8 716 141 199 0		NG	■													
	Connector assembly 3 way		8 716 121 536 0		NG	■													
	Connector assembly 4 way		8 716 121 537 0		NG	■													
	Connector assembly 5 way		8 716 121 538 0		NG	■													
	PCB support pillar tcbs-8-01		8 716 141 076 0		NG	■													
	Fuse 2a slow blow 20 x 5mm		8 716 156 000 0		NG	■													
	Fuse 4a fast blow 20 x 5mm		8 716 156 008 0		NG	■													
	28/25si fuse kit		8 716 156 013 0		NG	■													

24SBI-FSN			Electrical Box Assembly D																4
------------------	--	--	------------------------------	--	--	--	--	--	--	--	--	--	--	--	--	--	--	--	----------

Spare parts list



6720900101.AA

Wall Mounting assy
D

5

24SBI-FSN

Pos	description	S-Nr	ordering no.	PG	gas type	24SBI-FSN															remarks
1	Connection wall plate		8 716 101 183 0		NG	■															
2	22mm isolating valve		8 716 148 006 0		NG	■															
3	rp 3/4 gas cock		8 716 142 405 0		NG	■															
4	15mm domestic water valve		8 716 148 005 0		NG	■															
5	O-Ring 3.53 x 26.6 id red		8 716 140 800 0	17	NG	■															
6	O-Ring 3.0 x 22.5 id yellow		8 716 140 801 0		NG	■															
7	Grommet nylon open-close		8 716 141 050 0	09	NG	■															
8	Valve retaining plate		8 716 101 185 0		NG	■															
9	Screw m4x10mm taptite Scr zc pl p/h		2 914 411 408 0		NG	■															
10	Nut m8 full hex m/s zc pl		2 915 011 009 0	18	NG	■															
11	Alignment pin		8 716 140 101 0	18	NG	■															
12	Retainer		8 716 140 104 0	14	NG	■															
13	Screw m6x16mm set zc pl hex hd		2 911 131 197 0	08	NG	■															
14	Tie strip cross assembly		8 716 120 041 0	49	NG	■															
15	O-ring 2.62 X 17.86		8 716 140 806 0	15	NG	■															
24SBI-FSN		Wall Mounting assy D																		5	

**ADDITIONAL SPARE PARTS
FOR APPLIANCE
NOT DRAWN**

9099

6720900999.AA

Additional Spare Part
D

24SBI-FSN

9

List of translations

Pos				
1				
2				
3				
4				
5				
6				
7				
8				
9				
2				
1				
2				
3				
4				
5				
6				
7				
8				
9				
10				
11				
12				
13				
14				
15				
16				
17				
18				
19				
20				
21				
22				
23				
24				
25				
26				
27				
28				
29				
30				
31				
32				
33				
34				
35				
36				
37				
38				
39				
40				
41				
42				
43				
44				
45				
46				
Pos				

List of translations

47				
48				
49				
50				
51				
3				
1				
2				
3				
4				
5				
6				
7				
8				
9				
10				
11				
12				
13				
14				
15				
16				
17				
18				
19				
20				
21				
22				
23				
24				
25				
26				
27				
28				
29				
30				
31				
32				
33				
34				
35				
36				
37				
38				
39				
40				
41				
42				
43				
4				
1				
2				
3				
4				
5				
Pos				
6				

Types of appliances

Appliance	ordering no.	Country remarks
24SBI-FSN-GB NAT GAS SYSTEM BO	7 716 130 047	United Kingdom

